

BENKISER

THERMOSTATIC MIXING VALVE

Regulated Water Temperature
Water Efficient & Reliable



Lead Free Brass

Lead free brass, compliant with requirements of G12/AS1

Lockable Temperature

Installer can apply this feature at time of commissioning

Backflow Preventor

Integrated backflow preventor & strainer

Anti Scolding

Instant shutoff should hot or cold water fail

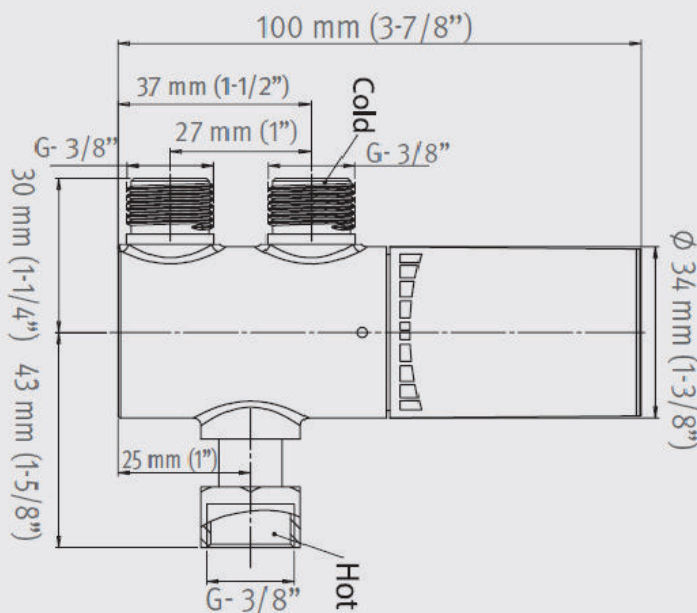
SPL

BENKISER

THERMOSTATIC MIXING VALVE

Designed for installation under the basin/sink/trough to provide a consistent and safe water temperature to tapware.

Quality lead free thermostatic mixer 3/8" (1/2" DN15 adapters included) with scalding protection, integrated back-flow preventer and strainer.



Specifications

Material	Brass (CW724R - lead free)
Finish	Chrome
Water Temperature Setting Range	Maximum hot water temperature 80°C Water temperature can be set between 30°C and 70°C (Lockable)
Working Pressure	50 - 500kPa (0.5 - 5.0 bar)
Flow Rate	25 l/min (3 bar)
Outlets	1-5 sanitary points (depending on flow rates)
Backflow Prevention	Intergrated backflow preventor
Inlet/Outlet Connection	G 3/8 DN10 (1/2" DN15 adpaters included)
Dimensions	100 x 34 x 73 mm - weight 0.28kg
Warranty	24 months
Product Code	BEN-TMV

Easy Use



High Speed



Efficient

