

SUPREME

III

Water Efficient & Reliable
Cold or Pre-Mixed Water



Self Closing

Time flow tapware suitable for public or commercial spaces where water conservation is top of mind.

Soft Push Activation

Mechanical activation, that even the smallest of hands can operate.

Lead Free

Lead free brass compliant with requirements of G12/AS1.

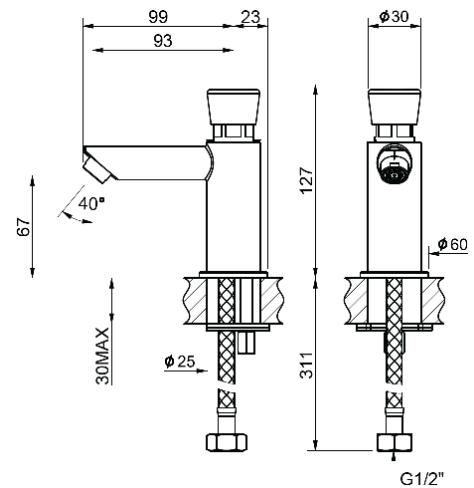
European Design & Manufactured

Long standing European manufacturer, specialists in self-closing and non-touch sanitaryware.

SPL

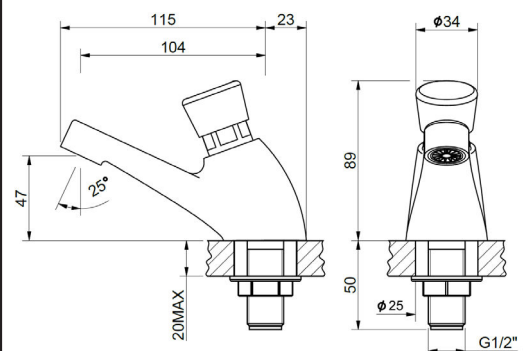
Supreme Arno

Finish	Chrome plated over lead free brass
Water Temperature	5-70°C for cold or premixed water (lead free thermostatic mixing valve available)
Control	Soft push mechanical activation
Operating Pressure	50kPa - 600kPa / 0.5-6.0 bar (recommended 2-4 bar)
Rate of Flow	4 l/min (2,3 & 6 l/min available on request)
Time of Flow	8-12 seconds
Water Inlet	Female thread G 1/2"
Dimensions	Height 127mm, Depth 122mm, Tap Ø 35mm, Hole Ø min 25mm, Mounting plate Ø 60mm, Nosing 93mm, Discharge height 67mm
Warranty	24 Months
Product Code	STF15



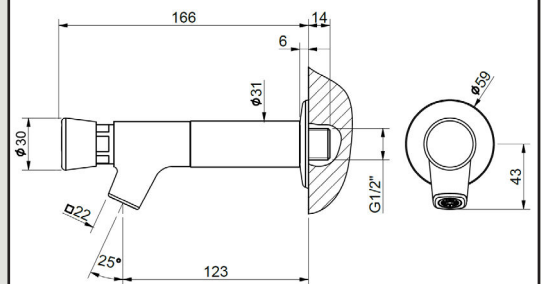
Supreme Velino

Finish	Chrome plated over lead free brass
Water Temperature	5-70°C for cold or premixed water (lead free thermostatic mixing valve available)
Control	Soft push mechanical activation
Anti-Vandal	Water only flows when button is released
Operating Pressure	50kPa - 600kPa / 0.5-6.0 bar (recommended 2-4 bar)
Rate of Flow	4 l/min - flow strainer in stem
Time of Flow	8-12 seconds
Water Inlet	Male threaded stem G 1/2"
Dimensions	Height 89mm, Depth 138mm, Tap Ø 46mm, Push button Ø 34mm, Hole Ø min 25mm, Nosing 104mm, Discharge height 47mm
Warranty	24 Months
Product Code	STF17



Supreme Garda

Finish	Chrome plated over lead free brass
Water Temperature	5-70°C for cold or premixed water (lead free thermostatic mixing valve available)
Control	Soft push mechanical activation
Operating Pressure	50kPa - 600kPa / 0.5-6.0 bar (recommended 2-4 bar)
Rate of Flow	4 l/min - flow strainer in stem
Time of Flow	8-12 seconds
Water Inlet	Male thread stem G 1/2"
Dimensions	Depth 93mm or 166mm (extension), Discharge depth 51mm or 123mm (extension), Tap Ø 31mm, Push button Ø 30mm, Hole Ø 25mm, Nosing 43mm, Mounting plate Ø 59mm
Warranty	24 Months
Product Code	STF16



Supreme Nera

Finish	Chrome plated over lead free brass
Water Temperature	5-70°C for cold or premixed water (lead free thermostatic mixing valve available)
Control	Lever mechanical activation
Operating Pressure	50kPa - 600kPa / 0.5-6.0 bar (recommended 2-4 bar)
Rate of Flow	4 l/min - flow strainer in stem
Time of Flow	8-12 seconds
Water Inlet	Male threaded stem G 1/2"
Dimensions	Height 191mm, Depth 138mm, Tap Ø 46mm, Lever Ø 12mm, Hole Ø min 25mm, Nosing 104 mm, Discharge height 47mm
Warranty	24 Months
Product Code	STFL18

