

SUPREME III

Water Efficient & Reliable
Cold or Pre-Mixed Water



Self Closing

Time flow tapware suitable for public or commercial spaces where water conservation is top of mind.

Soft Push Activation

Mechanical activation, that even the smallest of hands can operate.

Lead Free

Lead free brass compliant with requirements of G12/AS1.

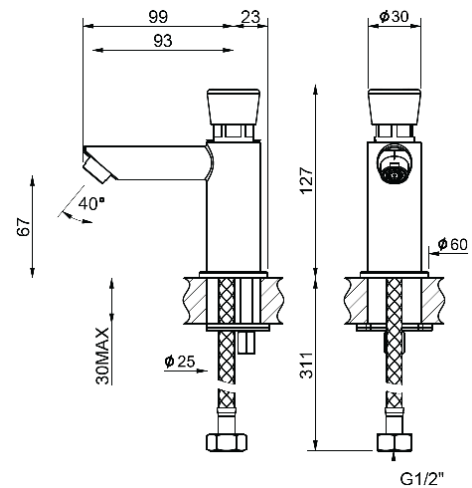
**European Design
& Manufactured**

Long standing European manufacturer, specialists in self-closing and non-touch sanitaryware.

SPL

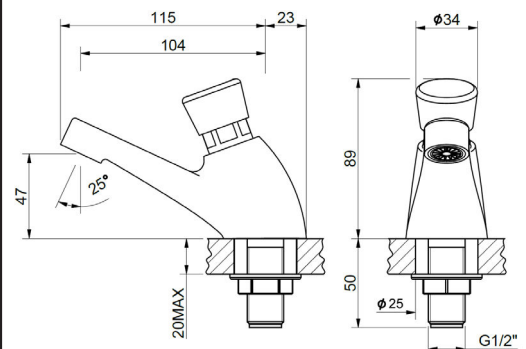
Supreme Arno

| | |
|---------------------------|---|
| Finish | Chrome plated over lead free brass |
| Water Temperature | 5-70°C for cold or premixed water (lead free thermostatic mixing valve available) |
| Control | Soft push mechanical activation |
| Operating Pressure | 50kPa - 600kPa / 0.5-6.0 bar (recommended 2-4 bar) |
| Rate of Flow | 4 l/min (2,3 & 6 l/min available on request) |
| Time of Flow | 8-12 seconds |
| Water Inlet | Female thread G 1/2" |
| Dimensions | Height 127mm, Depth 122mm, Tap Ø 35mm, Hole Ø min 25mm, Mounting plate Ø 60mm, Nosing 93mm, Discharge height 67mm |
| Warranty | 24 Months |
| Product Code | STF15 |



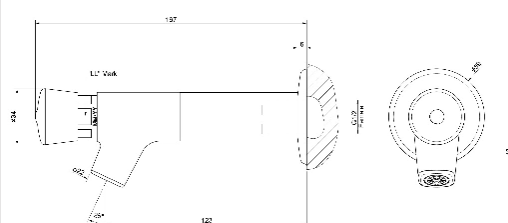
Supreme Velino

| | |
|---------------------------|--|
| Finish | Chrome plated over lead free brass |
| Water Temperature | 5-70°C for cold or premixed water (lead free thermostatic mixing valve available) |
| Control | Soft push mechanical activation |
| Anti-Vandal | Water only flows when button is released |
| Operating Pressure | 50kPa - 600kPa / 0.5-6.0 bar (recommended 2-4 bar) |
| Rate of Flow | 4 l/min - flow strainer in stem |
| Time of Flow | 8-12 seconds |
| Water Inlet | Male threaded stem G 1/2" |
| Dimensions | Height 89mm, Depth 138mm, Tap Ø 46mm, Push button Ø 34mm, Hole Ø min 25mm, Nosing 104mm, Discharge height 47mm |
| Warranty | 24 Months |
| Product Code | STF17 |



Supreme Garda

| | |
|---------------------------|---|
| Finish | Chrome plated over lead free brass |
| Water Temperature | 5-70°C for cold or premixed water (lead free thermostatic mixing valve available) |
| Control | Soft push mechanical activation |
| Operating Pressure | 50kPa - 600kPa / 0.5-6.0 bar (recommended 2-4 bar) |
| Rate of Flow | 4 l/min - flow strainer in stem |
| Time of Flow | 8-12 seconds |
| Water Inlet | Female thread G 1/2" |
| Dimensions | Depth 93mm or 166mm (extension), Discharge depth 51mm or 123mm (extension), Tap Ø 31mm, Push button Ø 30mm, Hole Ø 25mm, Nosing 43mm, Mounting plate Ø 59mm |
| Warranty | 24 Months |
| Product Code | STF16 |



Supreme Nera

| | |
|---------------------------|--|
| Finish | Chrome plated over lead free brass |
| Water Temperature | 5-70°C for cold or premixed water (lead free thermostatic mixing valve available) |
| Control | Lever mechanical activation |
| Operating Pressure | 50kPa - 600kPa / 0.5-6.0 bar (recommended 2-4 bar) |
| Rate of Flow | 4 l/min - flow strainer in stem |
| Time of Flow | 8-12 seconds |
| Water Inlet | Male threaded stem G 1/2" |
| Dimensions | Height 191mm, Depth 138mm, Tap Ø 46mm, Lever Ø 12mm, Hole Ø min 25mm, Nosing 104 mm, Discharge height 47mm |
| Warranty | 24 Months |
| Product Code | STFL18 |

