



HUSA - MAINS POWER



Installation
& maintenance
instructions.

SPL

General Information

- Designed for indoor use only. Do not expose to elements of nature.
- All plumbing and electrical connection must be made in accordance with AUS / NZ standards.

Warnings

- Read all instructions before attempting to install this system. It is recommended a qualified & registered plumber completes the install.
- Ensure pipe work is thoroughly flushed before installing the solenoid assembly. Solenoid components are susceptible to debris and require additional flushing compared to a standard plumbing fixture.
- Consideration should be given to any regulations relating to an air gap, an air break or double check valve to protect against back flow.

Operating Instructions and Parts Manual

Please read carefully before attempting to assemble, install, operate or maintain the product described. Protect yourself and others by observing all safety information. Failure to comply with instructions could result in personal injury and/or property damage. Retain instructions for future reference.

Sanela Husa Sensor Tap

Sensor activated tapware for cold and pre-mixed water. High quality electronics combined with elegant aesthetics.

Specifications

Finish	Chrome
Water Temperature	For cold, hot or premixed water (thermostatic mixing valve available)
Power Supply	24V DC (230V AC into power supply)
Control	Infra-red sensor
Operating Voltage	24V DC, 14W
Active Range	Standard 0.2 - 0.26 m, START/STOP program 0.25 - 7.75 seconds
Recommended Pressure	0.1 - 0.6 Mpa (1-6 Bar)
Rate of Flow	3.8 l/min (6 l/min or 1.9L/m available on request)
Water Inlet	Male thread G 1/2"
Dimension	Height 346mm, Depth 210mm, Tap Diameter Ø 50, Hole Ø 35mm, Nosing 190mm, Discharge Height 230mm
Warranty	24 Months

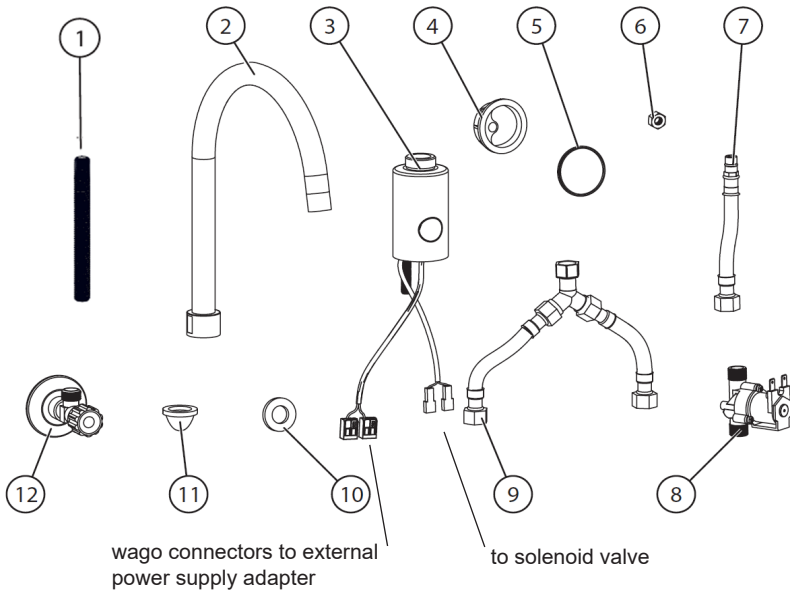
Planning

- Ensure an appropriate piping design (sizing etc). This will eliminate issues arising from flow, pressure and water hammering.
- Where appropriate install necessary filters, water hammering arrestors and water pressure reducing valves (recommended pressure 1 to 6 bar). This will minimise future maintenance.
- Install the angle valve to enable ease of future maintenance.

Tempered Water

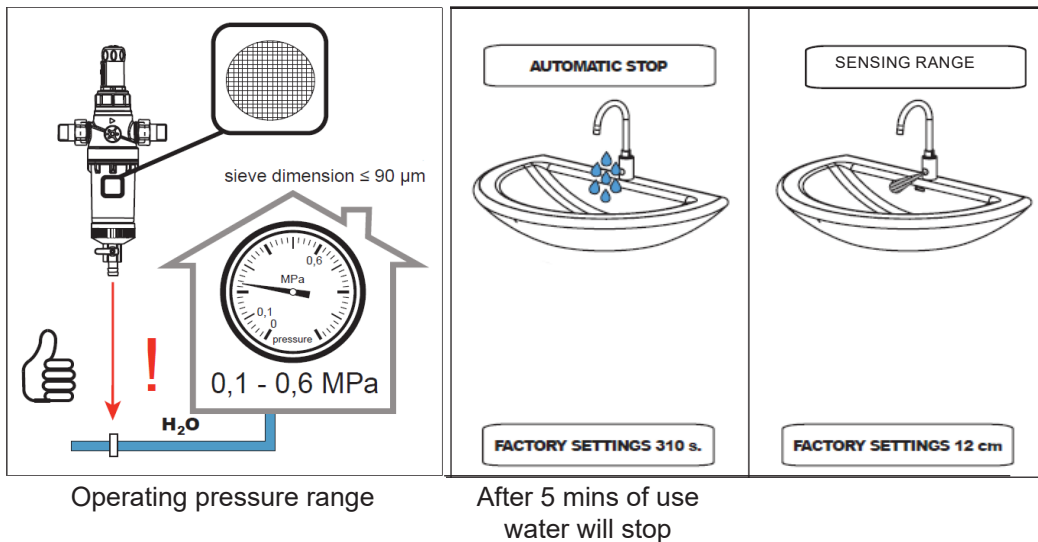
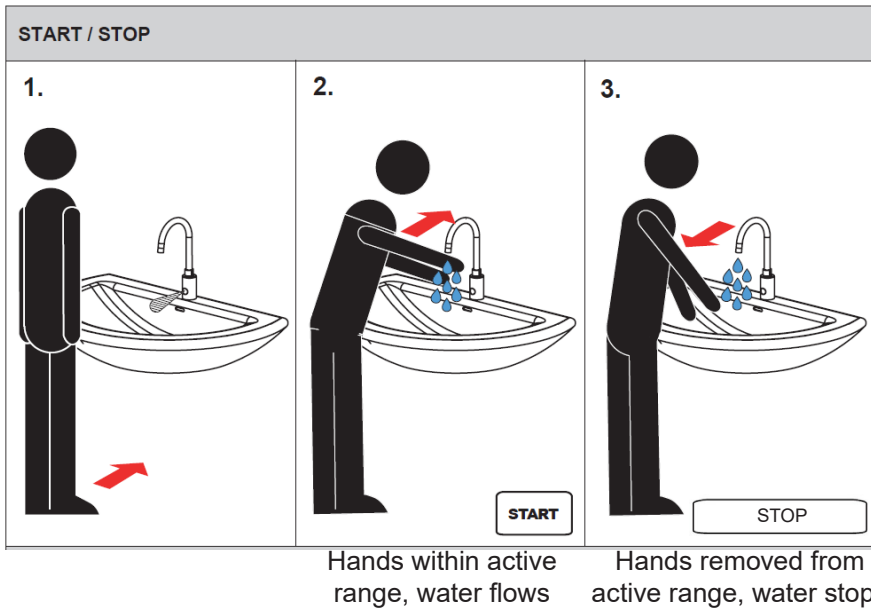
- An appropriate thermostatic mixing valve (TMV3) should be installed to ensure a safe regulated water temperature. These are available from SPL – SST THERMO VALVE

Components



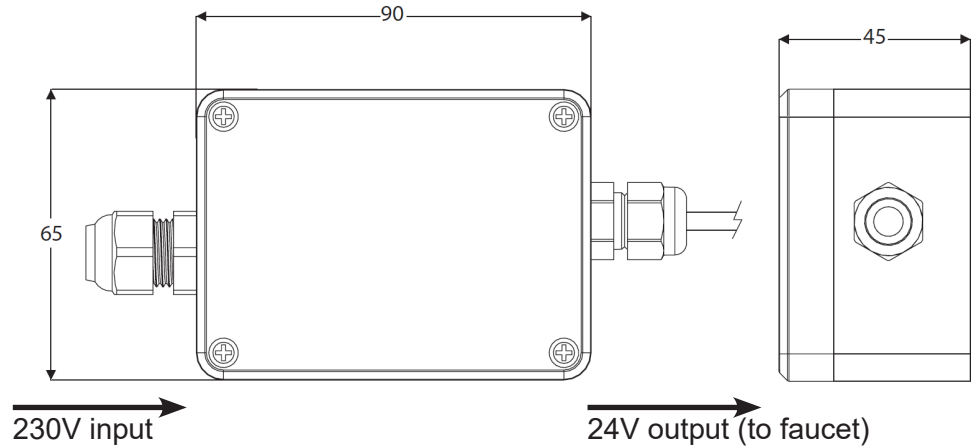
1	Mounting screw
2	Faucet spout
3	Faucet base
4	Mounting plate
5	Gasket
6	Hex nut
7	Connection hose
8	Solenoid valve
9	Connection hoses
10	Washer
11	Filter
12	Angle valves (x2)

Standard Functions



External Power Supply Installation

Input	230V / 50 Hz
Output	24 V DC
IP rating	IP 55
Operating temperature	5°C - 40°C
Rated power	10W



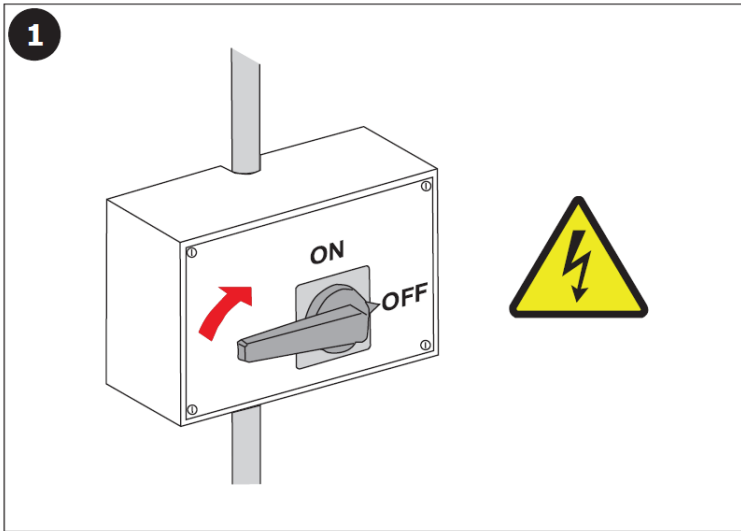
Important

To be installed in accordance with all NZ electrical regulations. It must be carried out by a qualified professional.

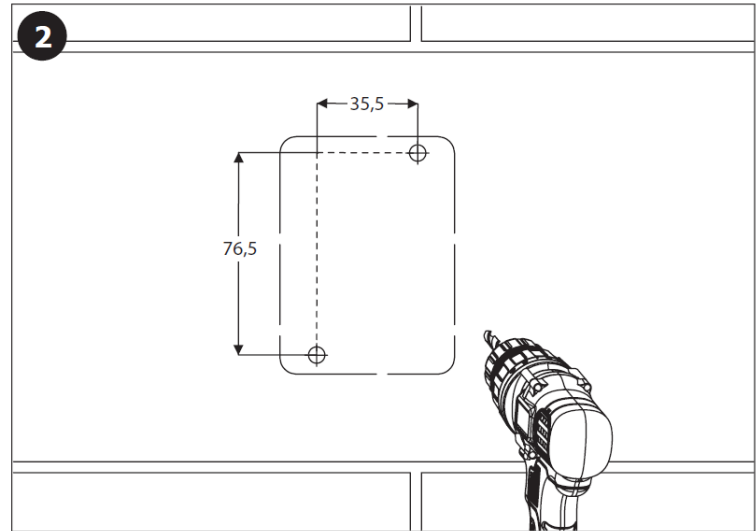
Positioning of the mounting box should be 500mm from the floor and consider:

1. Moisture ingress due to plumbing fault
2. Ongoing maintenance and accessibility

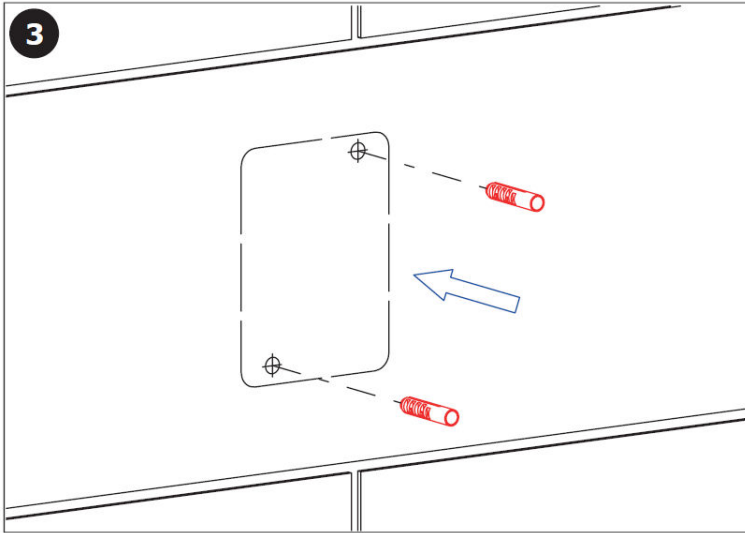
The mounting box can be surface mounted or within the service or ceiling cavity.



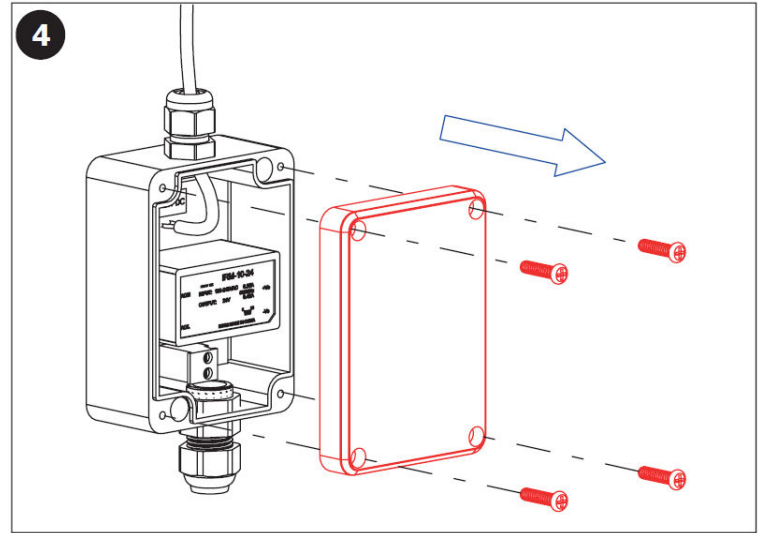
1 Ensure mains power supply is off



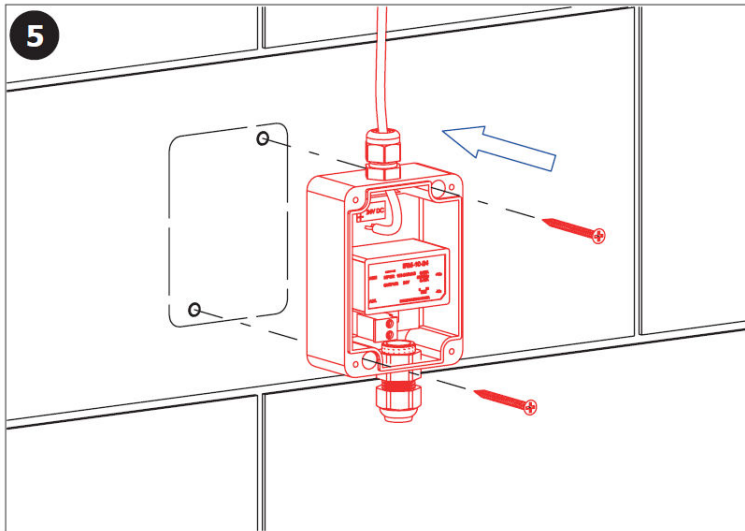
2 Mark mounting point(s) on surface



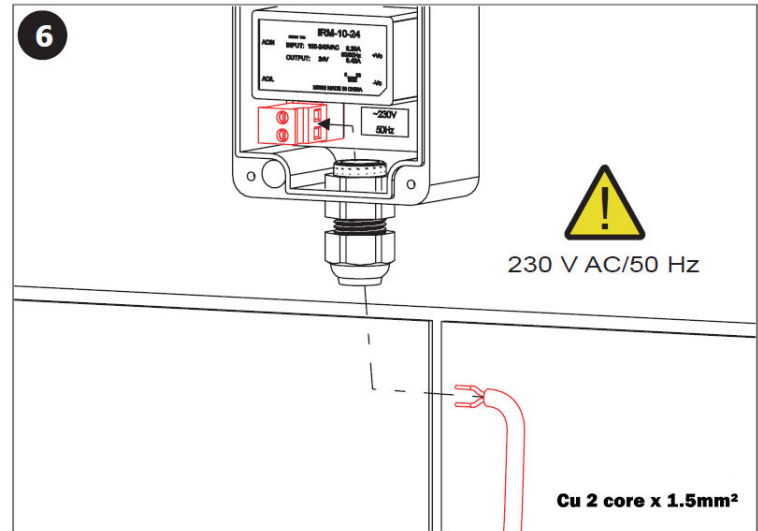
3 Drill and insert appropriate wall anchors if required



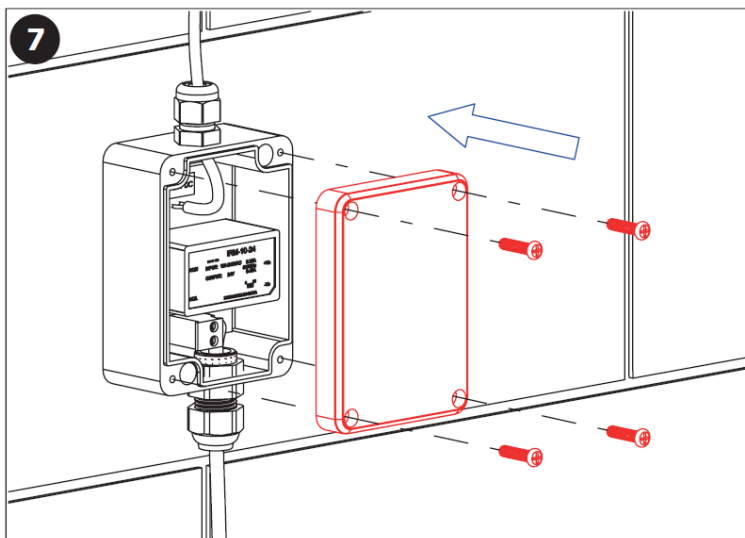
4 Remove cover from mounting box



5 Fix mounting box to wall



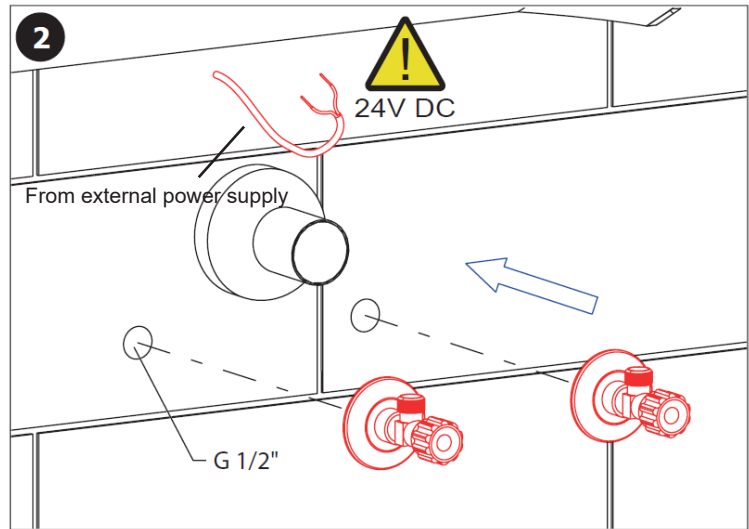
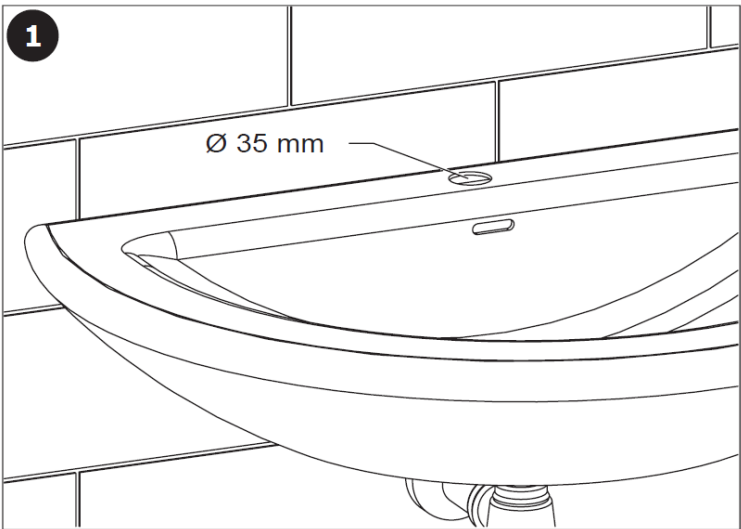
6 Pass mains (230V) power supply into mounting box via grommet and terminate accordingly



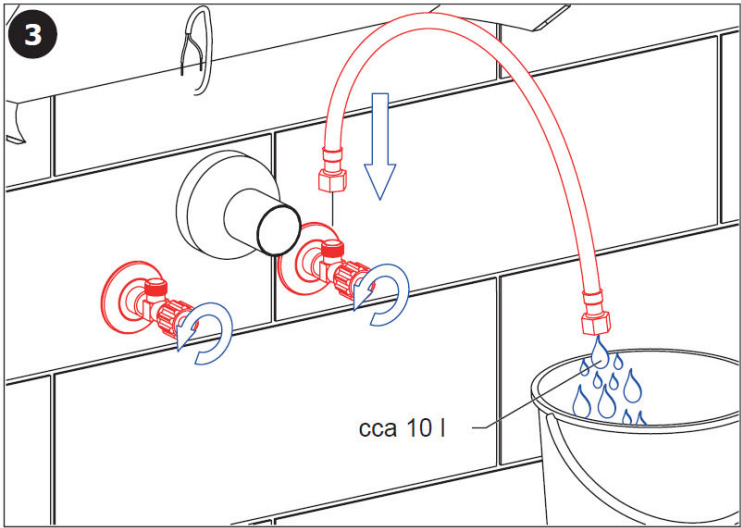
7 Reinstall cover of mounting box and ensure sealed. Tighten grommet to ensure snug around cables

Note: Power supply should be secured via current breaker before the external supply (not included)

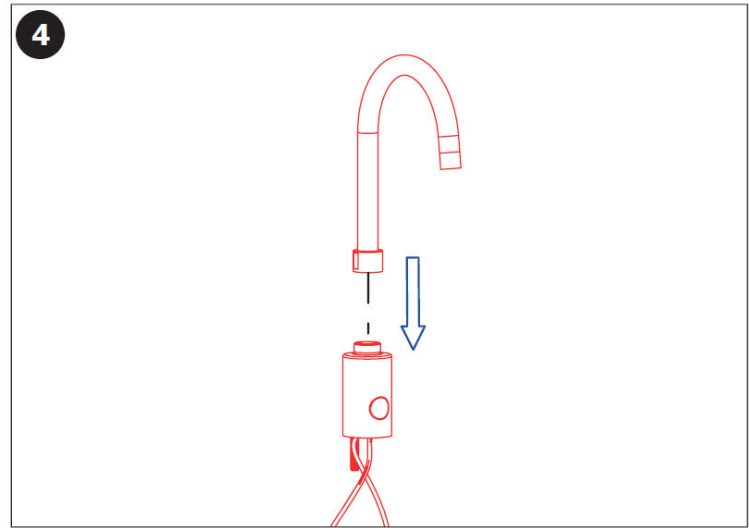
Faucet Installation



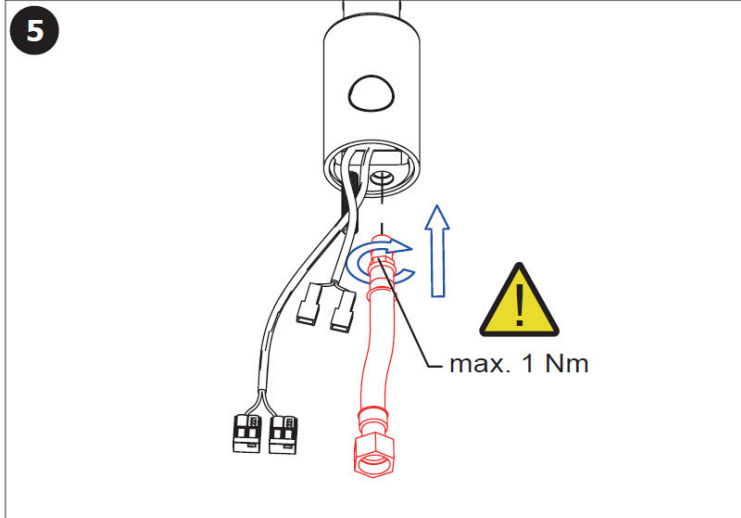
Install 1/2" angle valve(s)



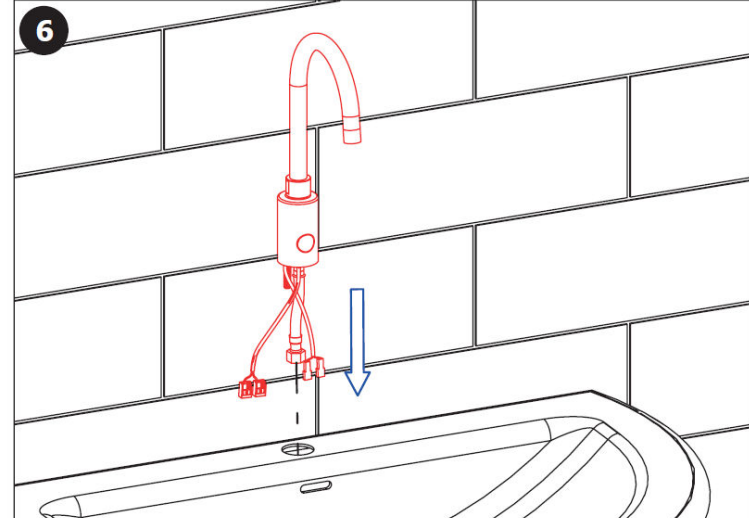
Flush lines thoroughly



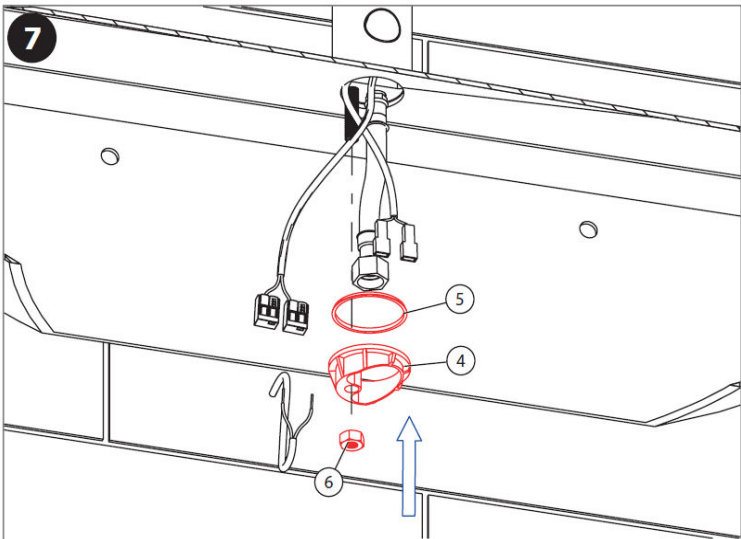
Connect faucet, spout and base together and insert mounting screw and fit gasket



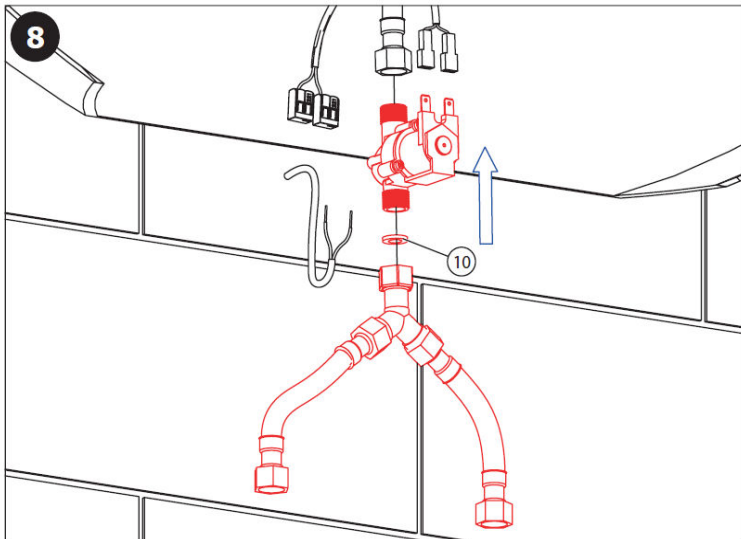
Fit connection hose into base of faucet



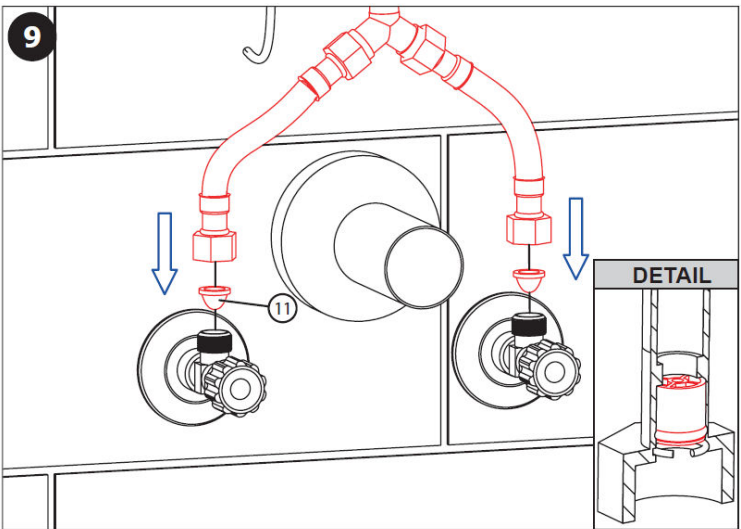
Pass mounting screw, hose and electrical connections through vanity



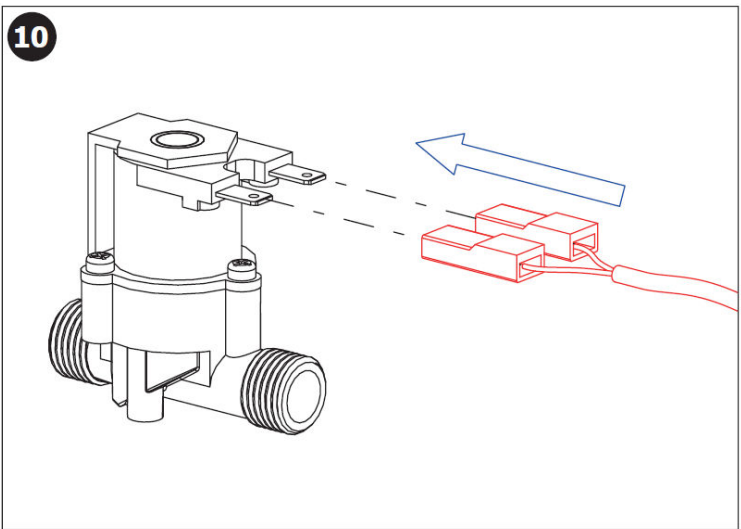
Fit remaining gasket, mounting plate and hex nut



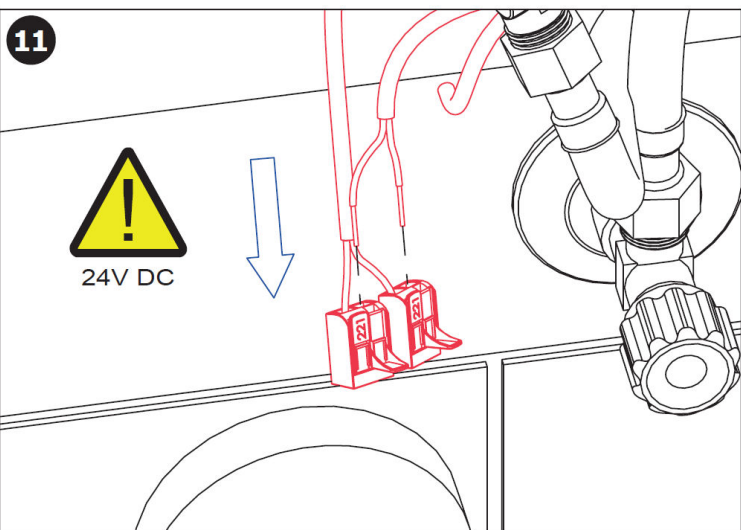
Fit remaining connection hose, washer and solenoid. Note arrow on solenoid valve for water flow direction



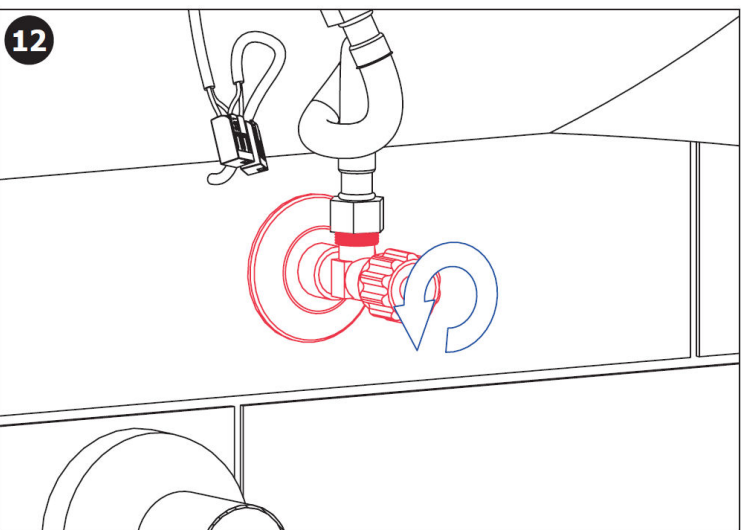
Fit filter into angle valve and connect hoses



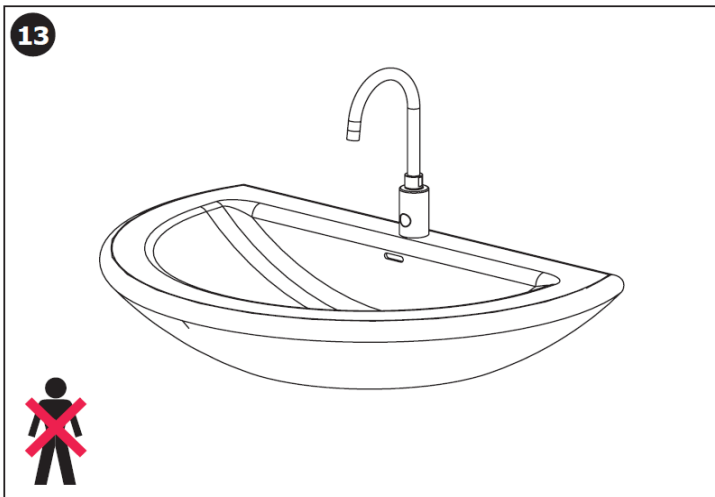
Connect faucet to solenoid valve



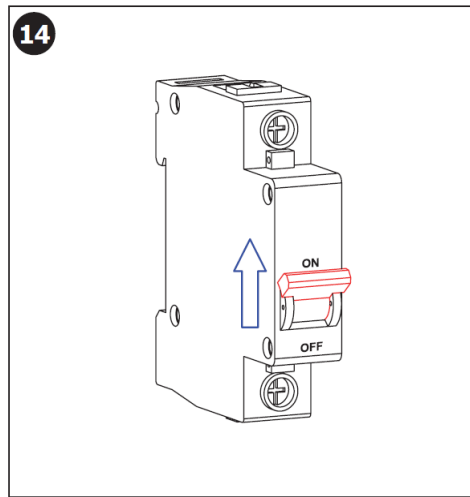
Connect external power (24V outlet) supply to wago connectors on faucet (Note polarity: brown to brown, white to white).



Turn angle valve on and check all connections

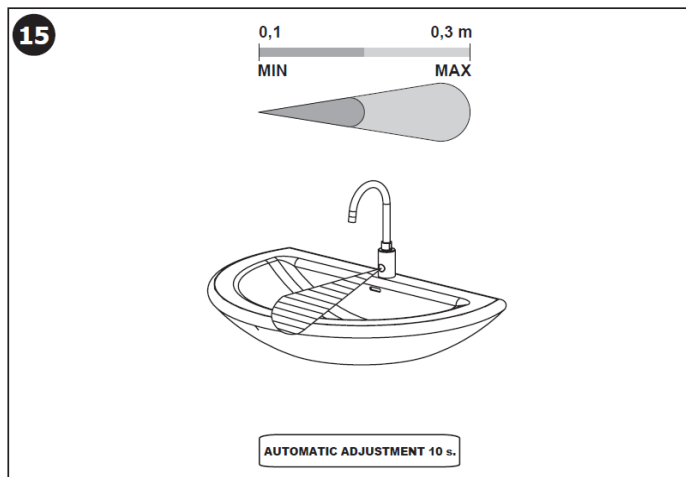


Do not come within active range



Turn power supply on

It is necessary, for the proper function, to keep the unit under constant voltage (don't connect the power supply unit behind the switch into the light circuit)

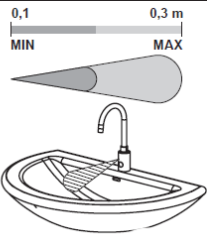





Once power turned on, faucet will automatically adjust sensing range during first 10 seconds. The LED on sensor will continually flash, do not come in active range during this time.

Important

- Pipework is required to be flushed thoroughly prior to faucet and solenoid installation. Foreign debris may reduce level of flow and in some cases damage the solenoid valve.
- The sensor of the faucet must not be obstructed.
- Avoid positioning reflective objects or surfaces in front of the faucet sensor. This can cause false activation i.e. mirrors opposite faucet. With wall mounted faucets pay particular attention to the distance between the bottom of the basin and the faucet (minimum of 300mm) and the location and material of the basin waste (avoid mounting directly over the waste and/or choose non reflective options).
- All plumbing and electrical installation must be carried out by a qualified person and in accordance with applicable codes and regulations.

Note: If you require to modify any of the factory settings please request the Sanela remote SLD03.

Activation Range	Time Delay	Hygienic Flush	
 <p data-bbox="240 748 424 779">FACTORY SETTING 0.12m</p>	 <p data-bbox="533 748 743 779">FACTORY SETTINGS 0,25 s.</p>	<p data-bbox="818 387 1082 409">HYGIENIC FLUSH INTERVAL</p>  <p data-bbox="866 748 1042 779">FACTORY SETTINGS OFF</p>	<p data-bbox="1129 387 1393 409">HYGIENIC FLUSH DURATION</p>  <p data-bbox="1177 748 1353 779">FACTORY SETTINGS 5 s.</p>
SLD 03: 0,1 - 0,3 m	SLD 03: 0,25 - 7,75 s.	SLD 03: OFF / 6 / 8 / 12 / 24 / 72 / 168 h	

Maintenance

- It is recommended that the solenoid valve and all filters be inspected for foreign debris and cleaned annually (more frequently if necessary)
- Clean faucet regularly using soapy water and a soft cloth or wet sponge
- DO NOT clean faucet with any abrasive material or chlorine/acid based cleaning product. This may damage the filter of the infrared sensor and/or the finishing of the faucet.

Troubleshooting

Symptom	Possible Cause	Corrective Action
No water flow - is LED on sensor flashing red when hands are within active range?	<ul style="list-style-type: none"> a. Water supply b. Water connections c. Filter is clogged d. Faucet to solenoid power connection e. Faulty solenoid 	<ul style="list-style-type: none"> a. Ensure water at source b. Ensure connections c. Clean filter (angle valve and solenoid) d. Reconnect plugs from faucet to solenoid valve e. Replace solenoid
No water flow - LED on sensor NOT flashing when hands are within active range.	<ul style="list-style-type: none"> a. Power supply b. Power connectors to faucet (wago connectors) c. IR sensor damaged d. Faulty IR sensor 	<ul style="list-style-type: none"> a. Ensure power at source b. Check all connections and polarity c. Replace IR sensor filter d. Replace IR sensor
Water doesn't stop flowing	<ul style="list-style-type: none"> a. Dirty IR sensor b. Obstruction in detection zone c. Water drop on sensor eye d. Ghost sensing due to reflection e. Debris in solenoid 	<ul style="list-style-type: none"> a. Clean IR sensor b. Remove obstruction c. Wipe sensor d. Remove reflective surface or reposition e. Clean and/or replace solenoid
Reduced flow rate	<ul style="list-style-type: none"> a. Filter clogged b. Aerator clogged c. Water supply 	<ul style="list-style-type: none"> a. Clean filter b. Clean aerator c. Check pressure / flow at source

Supreme Comprehensive Warranty

Your Sanela Sensor Tap is fully guaranteed against defective materials and faulty workmanship commencing from the date of sale (according to SPL's records), subject to it being installed and maintained in accordance with the manufacturer's instructions.

SPL (2021) Limited warrants that should any part of the sensor tap fail within the given warranty period (24 months), it will be remedied by SPL. The tap should be returned to SPL (2021) Limited for all warranty claims. The cost of cartage will be payable by the customer.

Due to the significant variation in tradesmen's knowledge, experience, and productivity, labour charges will NOT be accepted unconditionally. We strongly recommend contacting our office for advice before proceeding with any warranty repairs.

This warranty excludes:

- Incorrect installation, or installation that does not specifically follow the installation guidelines supplied
- Defects arising from improper installation, or incorrect electrical supply where applicable
- Failure to follow manufacturer's maintenance instructions
- Damage/Failure resulting from:
 - the use of non-authorized parts
 - authorised parts not installed in accordance with the manufacturer's instructions
 - accidental damage, negligent use, misuse, vandalism, neglect
 - damage caused either directly or indirectly by external sources (incorrect power supply, natural disaster, or insect infestation)
- Water ingress caused by property maintenance or flooding
- Negligent cleaning practices (water ingress, harmful chemical etc)

The above includes consequential damage to any other goods, furnishings, or property.

- Normal wear and tear and consumable parts (batteries etc)
- This warranty does not displace any statutory warranty in relation to the tap but any liability of SPL (2021) Limited under any statutory warranty will be limited to a replacement or repair of the tap or payment of the cost of such replacement or repair at the sole discretion of SPL (2021) Limited

Note:

- Warranty only extends to products purchased and installed in New Zealand.
- Contamination or poor water quality is not covered by product warranty.
- Damage to solenoid caused by inadequate flushing or excess water pressure is not covered by the product warranty.

SPL Limited
Cambridge 3434
New Zealand

p. +64 7 823 5790
e. office@splwashrooms.co.nz