

SUPREME

DIAMOND V



Installation
& maintenance
instructions.

General Safety Information

WARNING - TO REDUCE THE RISK OF FIRE, ELECTRIC SHOCK OR INJURY TO PERSONS, OBSERVE THE FOLLOWING:

- Failure to disconnect the power source before installation can result in serious injury or death from electric shock. Always disconnect the power source before servicing or installing the hand dryer.
- Fixed wiring is recommended for all installations. Wiring should emerge from the wall in the position marked on the mounting diagram. All fixed wiring should incorporate a switch or breaker with a contact separation of at least 3mm in all poles.
- SPL (2021) Ltd accepts no responsibility for any damage or injury to property or persons caused by improper, incorrect or unreasonable use or installation.
- Failure to properly ground this unit could result in severe electrical shock and/or death. This hand dryer must be properly grounded (Earthed) for safe operation. An identified ground connection point is supplied on the chassis of the hand dryer. We recommend GFCI protection in wet or damp locations or as required by local code.
- Risk of fire, personal injury or property damage are possible if local codes, or safety recommendations are not followed. Installation must be carried out by a qualified person in accordance with all local wiring regulations.
- If the supply cord is damaged, it must be replaced by the manufacturer, its service agent or similarly qualified persons in order to avoid a hazard.
- The instructions contained within the Mounting Template must be followed carefully when installing this unit. Failure to accurately follow the instructions may result in the incorrect operation of this unit, damage to property and/or personal injury.
- This appliance is not intended for use by persons (including children) with reduced physical, sensory or mental capabilities, or lack of experience and knowledge, unless they have been given supervision or instruction concerning use of the appliance by a person responsible for their safety.
- Do not insert objects into the air outlet, doing so can be hazardous and could result in electric shock.
- Do not obstruct the air inlets or outlets in any way.
- Do service your hand dryer at regular intervals.

Operating Instruction and Parts Manual

Please read carefully before attempting to assemble, install, operate or maintain the product described. Protect yourself and others by observing all safety information. Failure to comply with instructions could result in personal injury and/or property damage. Retain instructions for future reference.

Supreme DIAMOND-V Hand Dryer

Description:

The Supreme DIAMOND-V hand dryer is a surfaced-mounted dryer, powered by a brushless DC motor, which delivers up to 760 watts of drying power. Incorporated with a switchable 500W integrated heating element and infrared sensor with blue light assist for automatic activation. These models are intended for use in commercial, office and public facility environments.

Specifications

Cover	Aviation aluminium cover, anodised finish
Motor	Brushless DC Motor 24,500 rpm
Power	320W motor, 820W total with heater
Element	500W switchable on/off
Rating	220 -240V AC, 50/60Hz, IPX2
Switching	Infrared sensor with blue light assist
Sound Levels	72dBA @ 1m
Max Airflow	84 m ³ /hour @ 266km/h
Dimensions	275H x 130W x 128D mm
Weight	3.5kg
Warranty	The Supreme Comprehensive Hand Dryer Warranty - 36 month limited warranty
Standards	Complies with New Zealand and Australian Standards

Recommended Mounting Heights

From Floor to Dryer Bottom Edge:


Men's washroom	1100mm
Ladies' washroom	1050mm
Children's washroom 13-17yr	1000mm
Children's washroom 10-13yrs	950mm
Children's washroom 7-10yrs	900mm
Children's washroom 4-7yrs	800mm
Disabled Person's	950mm

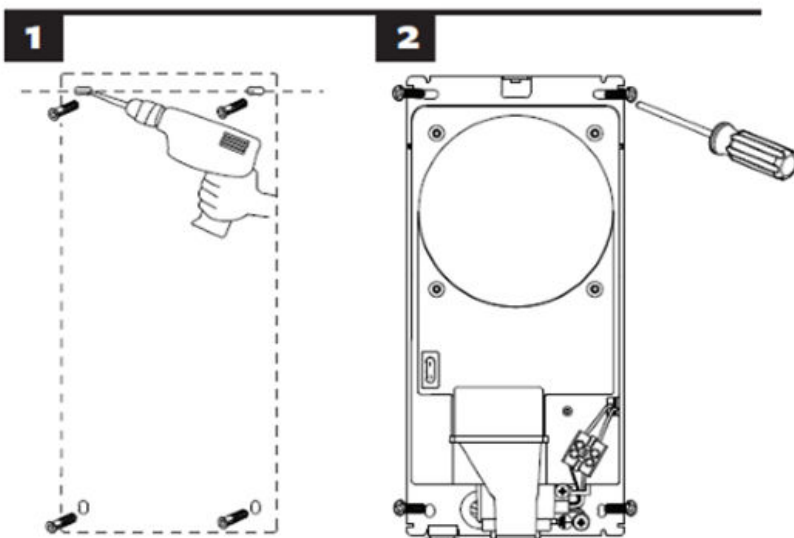
Planning

We suggest that one hand dryer be installed for every two hand basins.

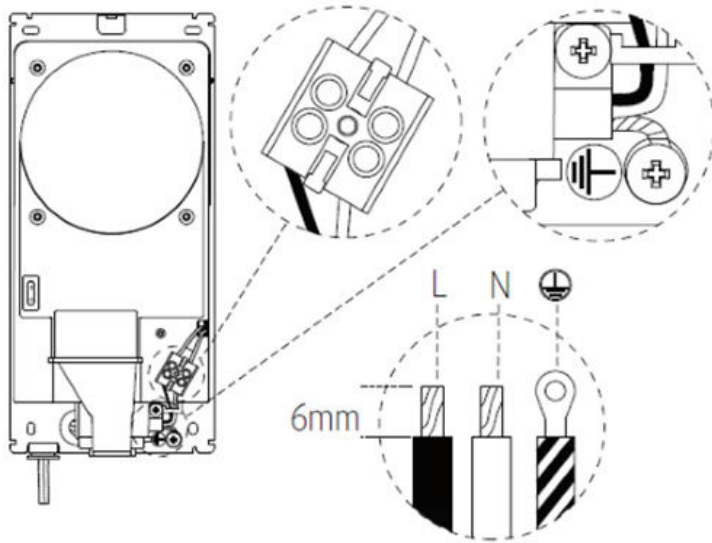
NOTE: Dryer should not be installed within 600mm of a bench top or reflective surface.

Installation Instructions

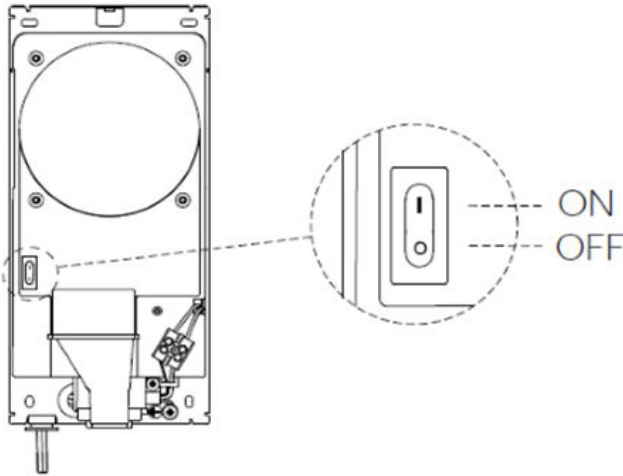
1. Disconnect the power source.
2. Place the main cover on a cloth to avoid marking its surface.
3. Use the security hex key supplied to remove two security screws from the dryer, then lift cover off the main body. (Image 5)
4. To position, use template provided to mark locations of four fixing points. Do not use the backplate as a guide for drilling. Ensure there is a 600mm clearance from surface below.
5. Pre-drill the wall in the marked locations using a 5/16 (8mm) drill, insert the plastic anchors and tap flush to the wall. (Image 1)
6. Secure the backplate to the wall with appropriate fittings (Image 2)
7. To install power cable and connection to terminal block pull the cable through the grommet. Ensure the cable is long enough to route correctly through the backplate to the terminal block. All automatic dryers must have their own dedicated 10 amp circuit.
8. The cable must sit in the dedicated channel.
9. As shown, connect cable to terminal block (Image 3) and screw in to terminal block.
10. Fix the cable clamp with screw in the backplate. CAUTION: Connect the earthing wire to the terminal block marked 
11. Set heater switch ON/OFF (Factory default setting "ON") (Image 4)
12. Attach main body by positioning the cover over backplate.
13. Insert and tighten the security screws into the top and bottom of the main body with the hex key (Image 5).
14. Turn unit on and test operation.
15. Handover security hex key to property manager.



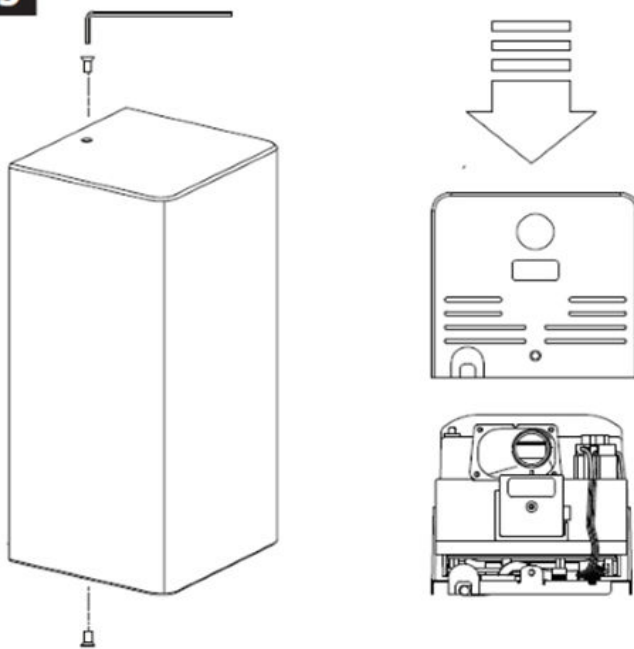
3



4



5

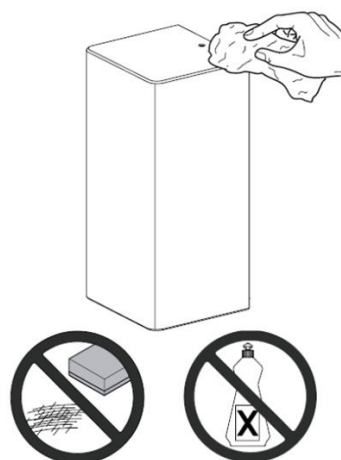


Maintenance and Cleaning Instructions

Regularly clean the outer casing using a soft, damp cloth to gently wipe away dirt. DO NOT use abrasives or chemicals.

Periodically deep clean:

1. Disconnect power source.
2. Use hex key provided to remove two security screws.
3. Clean all dust and lint from the interior.
4. Replace cover and tighten security screws until snug. Do not overtighten.
5. Wipe with a damp cloth.
6. Liven dryer and test operation.



Troubleshooting

Symptom	Possible Cause	Corrective Action
Dryer not blowing hot air.	Heater switch is set to "OFF."	1. Remove cover and locate switch, set to 'ON'.
	Element needs replacing.	Replacement element part number - DDV200.
Dryer fails to start.	Sensor obstruction.	1. Check sensor lens for foreign material or dirt. Clean lens with soft damp cloth and mild cleaning agent.
		2. If lens is damaged or scratched, replace it. Part number DDHV207.
	Faulty motor.	If relay "click" is heard, but unit does not start, replace the motor / fan assembly. Part number DDHV707.
Motor will start and slow down, then speed up.	Defective PCB.	Replace PCB. Part number DDV500.

Supreme Hand Dryer Limited Warranty

Your Supreme hand dryer is fully guaranteed against defective materials and faulty workmanship commencing from the date of sale (according to SPL's records), subject to it being installed and maintained in accordance with the manufacturer's instructions.

SPL (2021) Limited warrants that should any part of the dryer fail within the given warranty period (2- 5 years product dependant), it will be remedied by SPL.

The dryer should be returned to SPL (2021) Limited for all warranty claims. The cost of cartage will be payable by the customer.

Due to the significant variation in tradesmen's knowledge, experience, and productivity, labour charges will NOT be accepted unconditionally. We strongly recommend contacting our office for advice before proceeding with any warranty repairs.

This warranty excludes:

- Incorrect installation, or installation that does not specifically follow the installation guidelines supplied
- Defects arising from improper installation, or incorrect electrical supply where applicable
- Failure to follow manufacturer's maintenance instructions
- Damage/Failure resulting from:
 - the use of non-authorized parts
 - authorised parts not installed in accordance with the manufacturer's instructions
 - accidental damage, negligent use, misuse, vandalism, neglect
 - damage caused either directly or indirectly by external sources (power outages, power surges, incorrect power supply, natural disaster, or insect infestation)
- Water ingress caused by property maintenance or flooding
- Negligent cleaning practices (water ingress, harmful chemical etc)

The above includes consequential damage to any other goods, furnishings, or property.

- Normal wear and tear and consumable parts (HEPA filters, UV-C lamps, fuses, motor brushes etc)
- This warranty does not displace any statutory warranty in relation to the dryer but any liability of SPL (2021) Limited under any statutory warranty will be limited to a replacement or repair of the dryer or payment of the cost of such replacement or repair at the sole discretion of SPL (2021) Limited

SPL Limited
Cambridge 3434
New Zealand
p. +64 7 823 5790
e. office@splwashrooms.co.nz